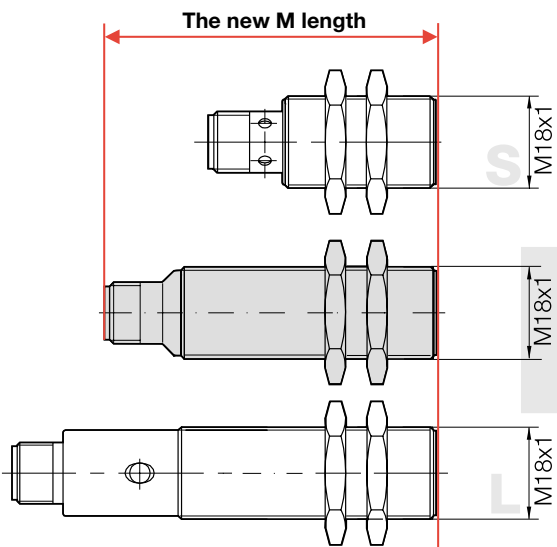




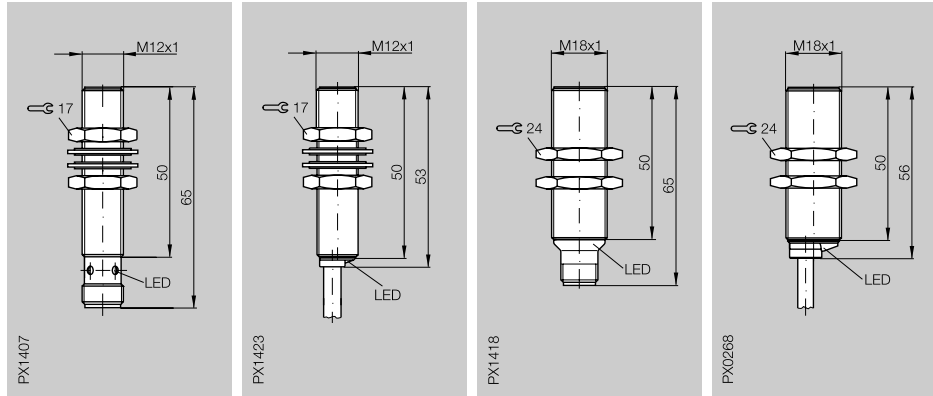
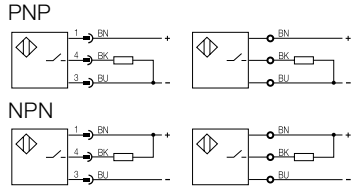
BALLUFF



PROXICOM Black Line
The new M length –
Proxicom Sensors
in shorter housings



Housing size	M12x1	M12x1	M18x1	M18x1
Mounting	flush	flush	flush	flush
Rated operating distance s_n	2 mm	2 mm	5 mm	5 mm
Assured operating distance s_a	0...1.6 mm	0...1.6 mm	0...4 mm	0...4 mm



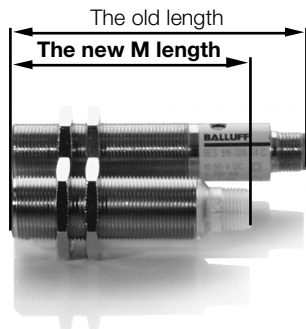
PNP	Normally-open	BES M12MI-PSC20B-S04G	BES M12MI-PSC20B-BES M12MI-PSC20B-	BES M18MI-PSC50B-S04G	BES M18MI-PSC50B-BES M18MI-PSC50B-
NPN	Normally-open	BES M12MI-NSC20B-S04G	BES M12MI-NSC20B-	BES M18MI-NSC50B-S04G	BES M18MI-NSC50B-

Rated operational voltage U_e	24 V DC	24 V DC	24 V DC	24 V DC
Supply voltage U_B	12...30 V DC	12...30 V DC	12...30 V DC	12...30 V DC
Voltage drop U_d at I_e	≤ 2.5 V	≤ 2.5 V	≤ 2.5 V	≤ 2.5 V
Rated insulation voltage U_i	250 V AC	250 V AC	250 V AC	250 V AC
Rated operational current I_e	200 mA	200 mA	200 mA	200 mA
No-load supply current I_0 d./und.	≤ 15 mA/ ≤ 6 mA	≤ 15 mA/ ≤ 6 mA	≤ 15 mA/ ≤ 6 mA	≤ 15 mA/ ≤ 6 mA
Off-state current I_r	≤ 20 μ A	≤ 20 μ A	≤ 20 μ A	≤ 20 μ A
Protected against polarity reversal	yes	yes	yes	yes
Short circuit protected	yes	yes	yes	yes
Load capacity	≤ 1 μ F	≤ 1 μ F	≤ 1 μ F	≤ 1 μ F

Repeat accuracy R	≤ 5 %	≤ 5 %	≤ 5 %	≤ 5 %
Ambient temperature range T_a	-25...+70 °C	-25...+70 °C	-25...+70 °C	-25...+70 °C
Frequency of operating cycles f	1200 Hz	1200 Hz	700 Hz	700 Hz
Utilization categories	DC 13	DC 13	DC 13	DC 13
Function indication	yes	yes	yes	yes

Degree of protection per IEC 529	IP 67	IP 67	IP 67	IP 67
Insulation Class	□	□	□	□
Housing material	metal	metal	metal	metal
Material of sensing face	PBTP	PBTP	PBTP	PBTP
Connection	connector	cable	connector	cable
No. of wires x conductor cross section		3 x 0.34 mm ²		3 x 0.34 mm ²
Recommended connector	BKS-B 19/BKS-B 20		BKS-B 19/BKS-B 20	

Please add the cable to the ordering code for sensors with molded cable!
 BV03, BV05 = PVC 3 m or 5 m length
 BP03, BP05 = PuFlex 3 m or 5 m length



Please order connector separately!

Gebhard Balluff GmbH & Co.
 Schurwaldstrasse 9
 73765 Neuhausen a.d.F.
 Germany
 Phone +49 (0) 71 58/1 73-0
 Fax +49 (0) 71 58/50 10
 E-Mail: balluff@balluff.de
<http://www.balluff.de>