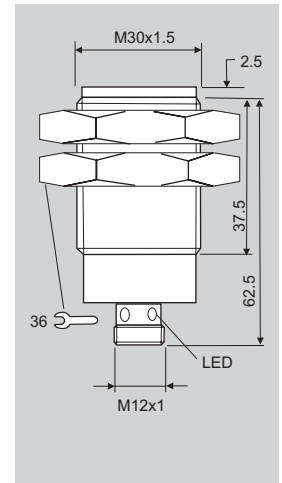
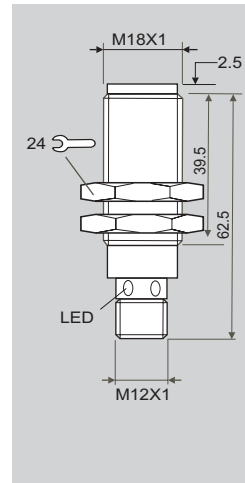
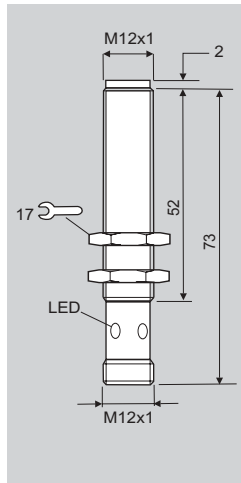
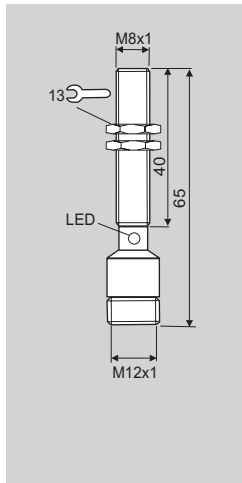


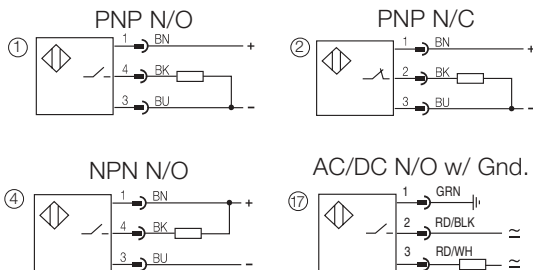
Housing Size	M8 x 1	M12 x 1	M18 x 1	M30 x 1
Mounting	Flush	Flush	Flush	Flush
Rated operating distance S_n	1.5 mm	2 mm	5 mm	8 mm
Assured operating distance S_a	0...1.2 mm	0...1.6 mm	0...4.1 mm	0...6.4 mm



PNP Ferrous Normally-open ①	BES M08EG1-PSC15S-S04G-S	BES M12E1-PSC20S-S04G-S	BES M18EG1-PSC50S-S04G-S	BES M30EG1-PSC80S-S04G-S
PNP Ferrous Normally-closed ②		BES M12E1-POC20S-S04G-S	BES M18EG1-POC50S-S04G-S	
PNP Nonferrous Normally-open ①		BES M12E1-PSC20N-S04G-S	BES M18EG1-PSC50N-S04G-S	BES M30EG1-PSC80N-S04G-S
NPN Ferrous Normally-open ④	BES M08EG1-NSC15S-S04G-S	BES M12E1-NSC20S-S04G-S	BES M18EG1-NSC50S-S04G-S	BES M30EG1-NSC80S-S04G-S

Rated operational voltage U_e	24 Vdc	24 Vdc	24 Vdc	24 Vdc
Supply voltage U_B	10...30 Vdc	10...30 Vdc	10...30 Vdc	10...30 Vdc
Voltage drop U_d at I_e	≤ 2.0 Vdc	≤ 2.0 Vdc	≤ 2.0 Vdc	≤ 2.0 Vdc
Load current capacity	100 mA	200 mA	200 mA	200 mA
Current consumption	≤10 mA	≤10 mA	≤10 mA	≤10 mA
Off-state current I_r	≤10 uA	≤10 uA	≤10 uA	≤10 uA
Protected against polarity reversal	yes	yes	yes	yes
Short circuit protected	yes	yes	yes	yes
Repeat accuracy R	≤ 2%	≤ 2%	≤ 2%	≤ 2%
Ambient temperature range T_a	-25°C...+70°C	-25°C...+70°C	-25°C...+70°C	-25°C...+70°C
Operating frequency f	20 Hz Ferrous	100 Hz Ferrous/ 15 Hz Nonferrous	15 Hz Ferrous/ 30 Hz Nonferrous	10 Hz Ferrous/ 10 Hz Nonferrous
Function indication	yes	yes	yes	yes
Degree of protection per IEC 529	IP 67/ 1200 psi washdown	IP 67/ 1200 psi washdown	IP 67/ 1200 psi washdown	IP 67/ 1200 psi washdown
Housing material	stainless steel 303	stainless steel 303	stainless steel 303	stainless steel 303
Material of sensing face	stainless steel 303	stainless steel 303	stainless steel 303	stainless steel 303
Connection	connector	connector	connector	connector
Approvals	cULus	cULus	cULus	cULus
Recommended connector	C04 AEL-00-VY-050M	C04 AEL-00-VY-050M	C04 AEL-00-VY-050M	C04 AEL-00-VY-050M

Wiring Diagrams

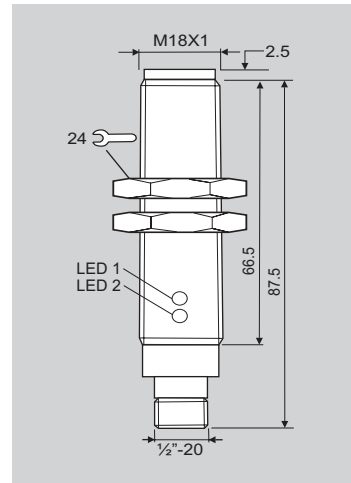
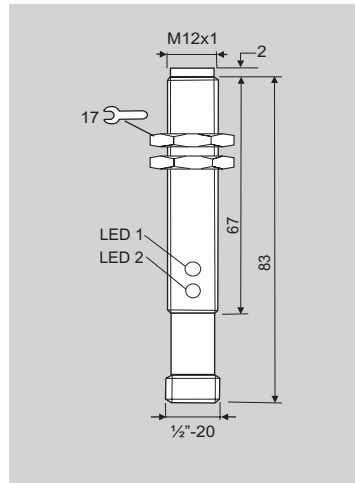


Correction Factor

Model	Mild Steel	Stainless Steel 303/304	316	Aluminum	Copper	Brass
DC						
M8 Ferrous	1	0.45	0.1	0	0	0
M12 Ferrous	1	0.25	0.1	0	0	0
M12 Nonferrous	0	0	0	1	1.1	0.9
M18 Ferrous	1	0.5	0.2	0	0	0
M18 Nonferrous	0	0	0	1	1.1	0.9
M30 Ferrous	1	0.7	0.2	0	0	0
M30 Nonferrous	0	0	0	1	1.1	0.9
AC/DC						
M12 Ferrous	1	0.25	0.1	0	0	0
M12 Nonferrous	0	0	0	1	1.1	0.9
M18 Ferrous	1	0.5	0.2	0	0	0
M18 Nonferrous	0	0	0	1	1.1	0.9

Actual sensing range = rated operating distance (S_n) x correction factor

Housing Size	M12 x 1	M18 x 1
Mounting	Flush	Flush
Rated operating distance S_n	2 mm	5 mm
Assured operating distance S_a	0...1.6 mm	0...4.1 mm

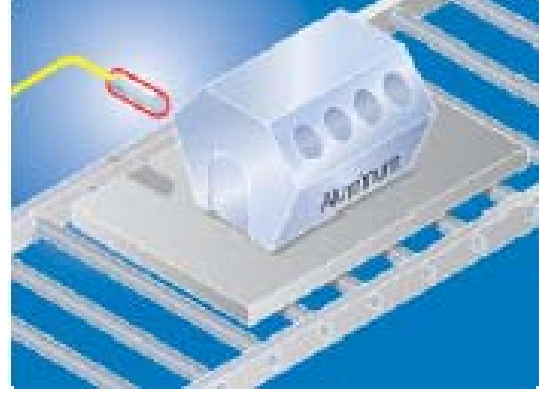


AC/DC Ferrous Normally-open $\text{\textcircled{17}}$	BES M12EN1-USU20S-S21G-S	BES M18EP1-USU50S-S21G-S
AC/DC Nonferrous Normally-open $\text{\textcircled{17}}$	BES M12EN1-USU20N-S21G-S	BES M18EP1-USU50N-S21G-S
Rated operational voltage U_e	110 Vac	110 Vac
Supply voltage U_B	20...250 Vac/ 300 Vdc	20...250 Vac/ 300 Vdc
Voltage drop U_d at I_e	≤ 7.0 V	≤ 7.0 V
Rated operational current I_e	200 mA	200 mA
Minimum operational current I_m	8 mA	8 mA
Off-state current I_r	≤ 1.3 mA at 110 Vac	≤ 1.3 mA at 110 Vac
Inrush current I_k $t = 20$ ms	≤ 1.7 A	≤ 1.7 A
Protected against polarity reversal	yes	yes
Short circuit protected	yes	yes
Repeat accuracy R	$\leq 2\%$	$\leq 2\%$
Ambient temperature range T_a	-25°C...+70°C	-25°C...+70°C
Operating frequency f	30 Hz Ferrous/ 15 Hz Nonferrous	15 Hz Ferrous/ 30 Hz Nonferrous
Function indication	yes	yes
Degree of protection per IEC 529	IP 67/1200 psi washdown	IP 67/1200 psi washdown
Housing material	stainless steel 303	stainless steel 303
Material of sensing face	stainless steel 303	stainless steel 303
Connection	connector	connector
Approvals	cULus	cULus
Recommended connector	C21 AE3-00-VY-150F	C21 AE3-00-VY-150F



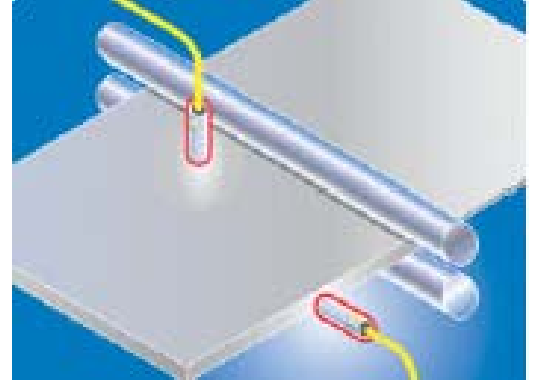
Nonferrous Algılama

Standart endüktif sensörlerin aksine STEELFACE nonferrous sensörler, algılama aralıklarının %100'ü oranında algılama yapar.



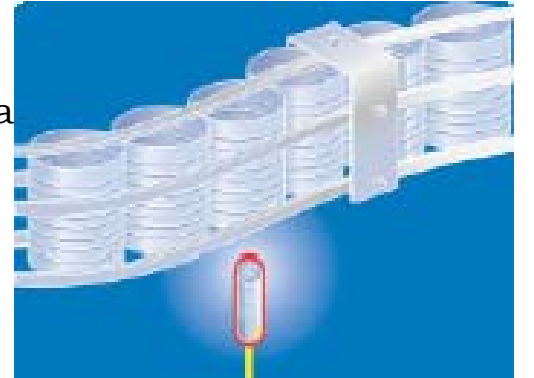
Varlık/Kenar Kontrolü

Sağlam STEELFACE sensörler, saç işlemede ideal bir seçimdir.

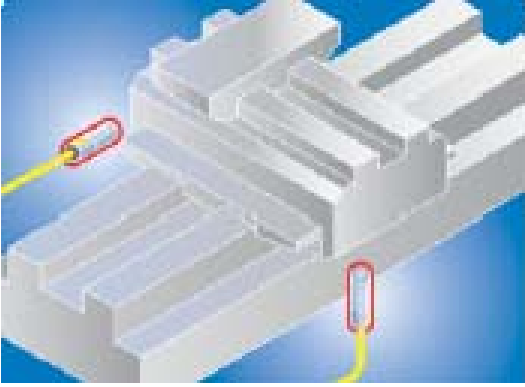


Alüminyum Kutu Algılama

STEELFACE nonferrous sensörler, algılama aralıkları kadar uzaktan alüminyum kutuları algılayacaktır.

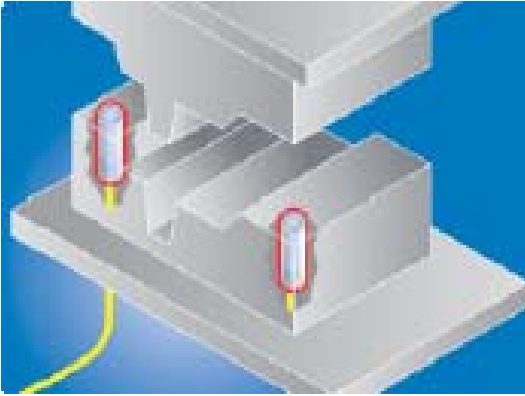


İlerleme Kontrolü



STEELFACE ferrous sensörler, makinanın işleyişi sırasında alüminyum parçalara duyarlıdır, çelik hedefleri algılar.

Kalıp içi Kontrolü



STEELFACE ağır işletme koşullarına dayanıklıdır. Hata denetiminde ve kalıp korumada kullanım için iyi bir seçimdir.

Gıda İşleme



STEELFACE sensörler, 1200 Psi, basınca kadar, yüksek basınçlı yıkama uygulamalarına dayanıklı yapılmışlardır.